

# GUARDIAN® Series 2

## 12.0kg/26.5lb Gravimetric Batch Blender

### Standard Features

Each hopper has one 90° side and no transition sections for improved material flow.

Hopper access doors with secure latching system.

Cartridge style dispensing gates w/ only 4 bolts to remove, for ease of maintenance and clean out.

Optimized V-design metering gates for improved accuracy and dispensing range.

6" color touch screen operator interface with "off-the-shelf" industrial controller.

Remote communications: Built-in Ethernet port standard - various protocols supported.



**See-Through  
Mixing Chamber  
Door - Allows  
for Visual  
Monitoring of  
Blend Quality**

**Rated at up to 4,800 lbs/hr throughput  
with a 12.0 kg/26.5 lb batch size**

The Guardian® Series 2 gravimetric batch blender was developed for manufacturers and businesses who want simplicity of operation combined with the most accurate dispensing and superior blend homogeneity, all at a low cost. For these customers, Process Control designed the Guardian® Series 2.

The 12.0 kg weigh scale type blender in the Guardian® Series 2 family has been made with redesigned material hoppers to hold each of the ingredients. The 12.0 kg blenders can be supplied with up to six separate ingredient hoppers as standard.

The outlet of each of the individual material hoppers is equipped with a fast acting V-gate valve. Each of the materials is dispensed sequentially into a common weighing hopper in the desired proportions. The weighed materials are then released into a separate "No Dead Zone" mixing chamber, which provides the most consistent homogeneous blend of any batch type blender.

Process Control engineers have developed a highly

advanced dispensing and weighing system that accurately controls each ingredient of every batch to the desired amounts. This is uncommon in the industry, as other batch blenders use a dispensing system that averages results over multiple batches. At the blender's highest setting, each ingredient can be dispensed to an accuracy of +/- 0.02%!

In addition to precise batch-to-batch dispensing, the performance of the mixer is just as critical to the end product. The mixer actually determines how uniform the blend will be. In head to head comparisons with other manufacturer's gravimetric batch equipment, PCC mixing has been shown to be superior to the competition.

The Guardian® Series 2 blenders have incorporated a built in clean-out system in the design. With a pull-out drain chute and separate manual slide-gate controls, the blender can be cleaned out quickly and easily during product changeovers.

**Standard 6" touch screen  
interface ensures ease of use  
and quick startups**

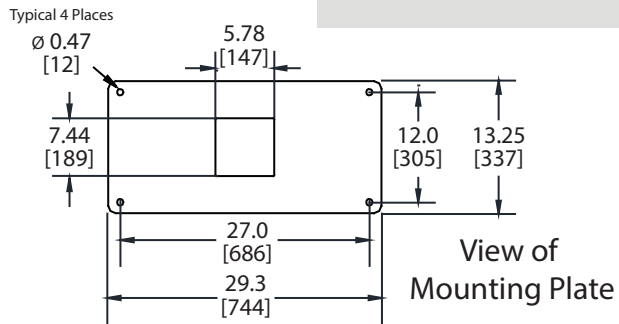
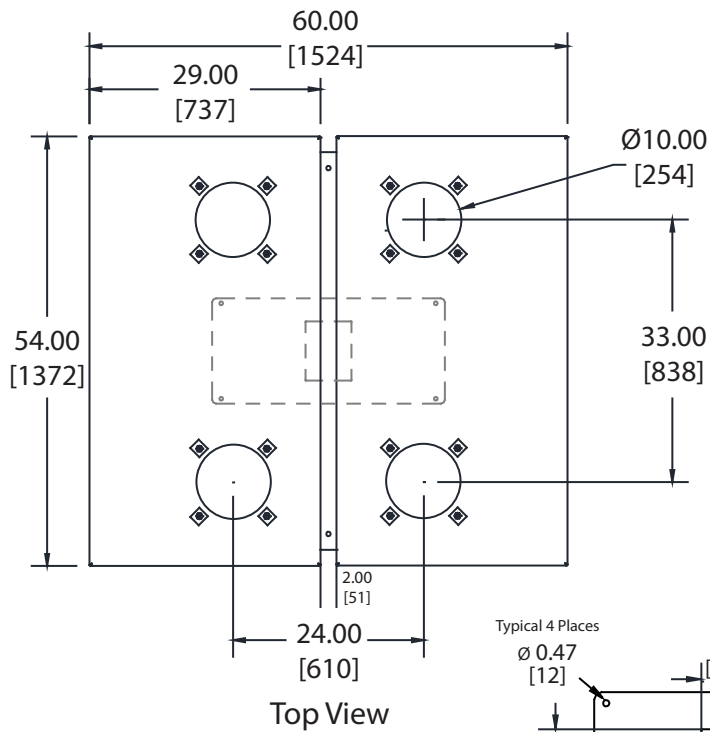


## PROCESS CONTROL CORPORATION

World Headquarters  
6875 Mimms Drive, Atlanta, GA 30340 USA  
Ph 770.449.8810 Fax 770.449.5445

Process Control GmbH  
Industrie Str. 15, 63633 Birstein, Germany  
Ph +49-6054-91290 Fax +49-6054-91299

# 4 Element, 12kg Guardian® Series 2 Blender



## Maximum Throughput Rates

2-Element: 4800 PPH\*

3-Element: 4000 PPH\*

4-Element: 3000 PPH\*

\* Depending on Materials, Mix Time & Accuracy Setting

## Power

460V/3Ph/60Hz for mixer motor

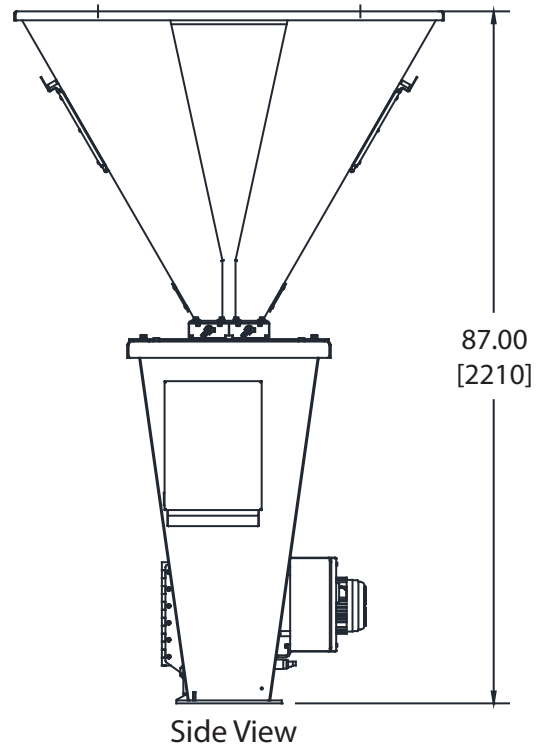
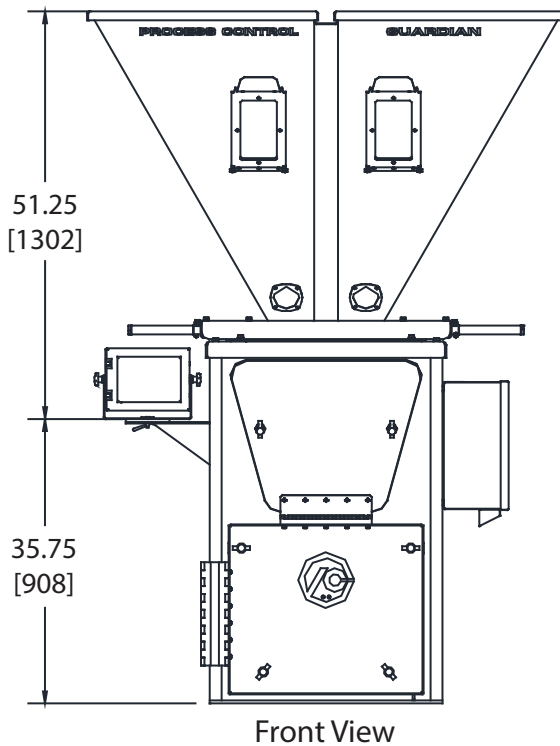
115V/1Ph/60Hz for controls

or

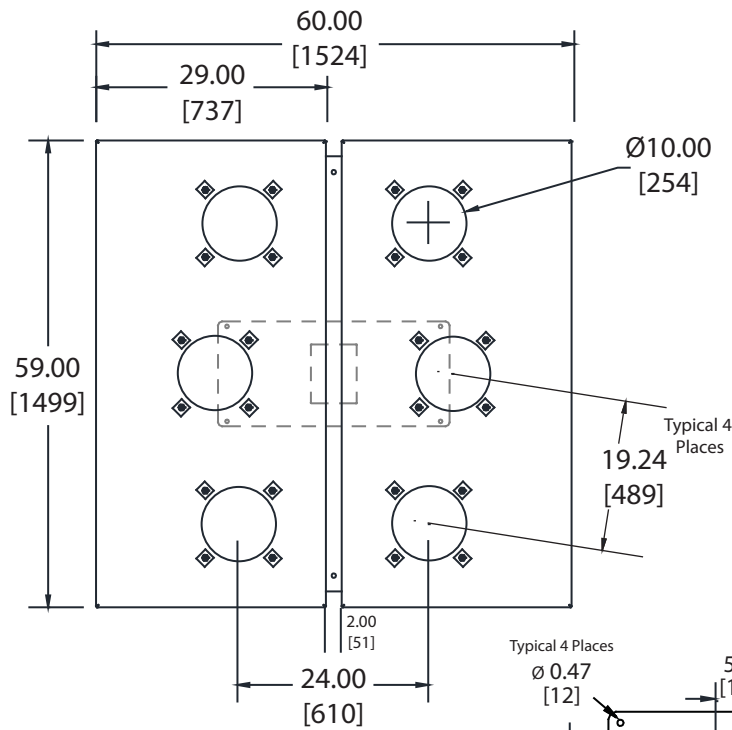
400V/3P/50Hz for mixer motor

230V/1Ph/50Hz for controls

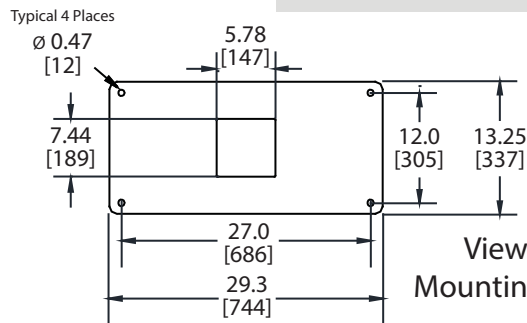
[ ] Dimensions are in mm  
Approx Shipping Weight: 700lbs



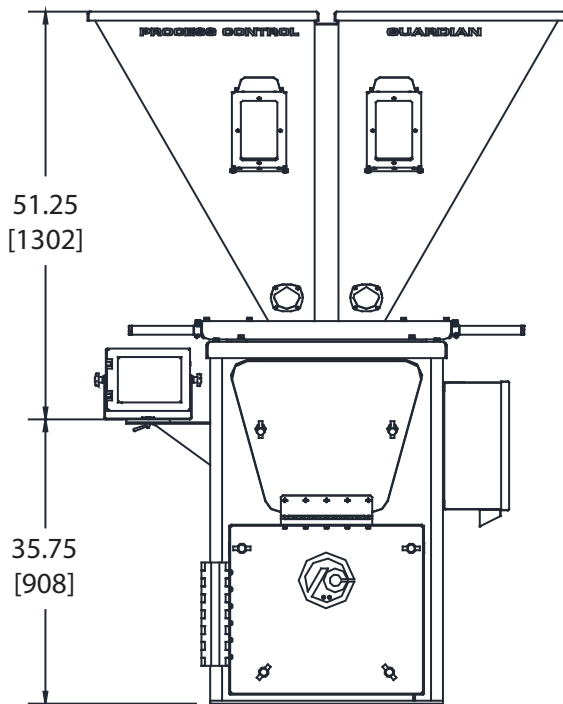
# 6 Element, 12kg Guardian® Series 2 Blender



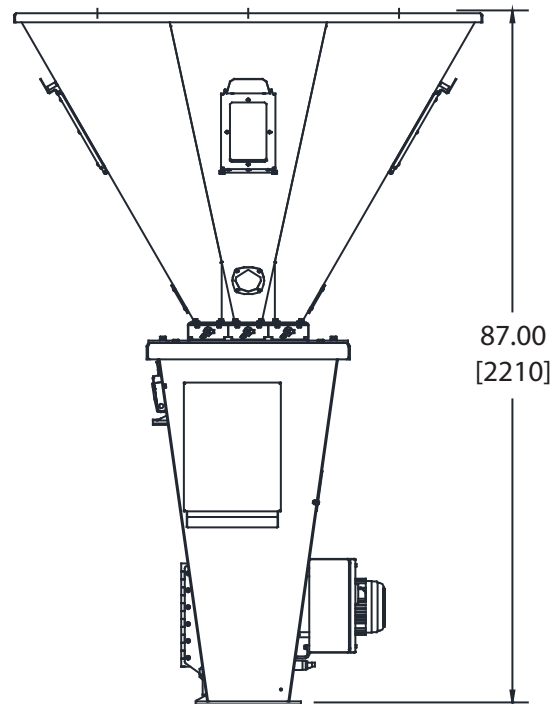
Top View



View of Mounting Plate



Front View



Side View

## Maximum Throughput Rates

5-Element: 2900 PPH\*

6-Element: 2800 PPH\*

\*Depending on Materials, Mix Time & Accuracy Setting

## Power

460V/3Ph/60Hz for mixer motor

115V/1Ph/60Hz for controls

or

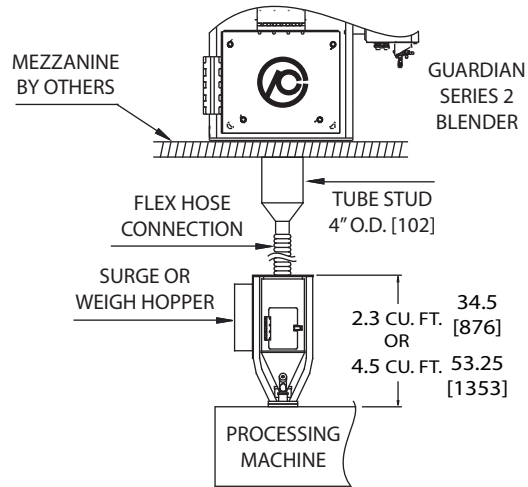
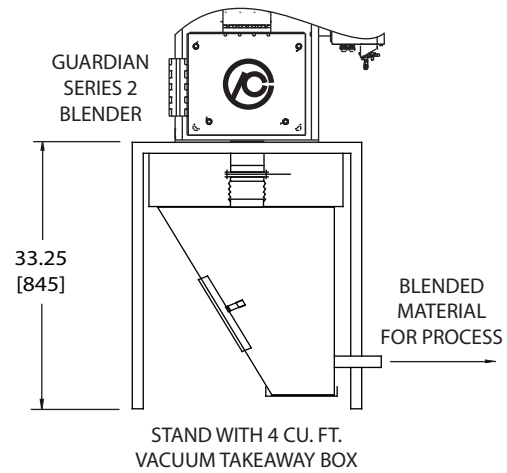
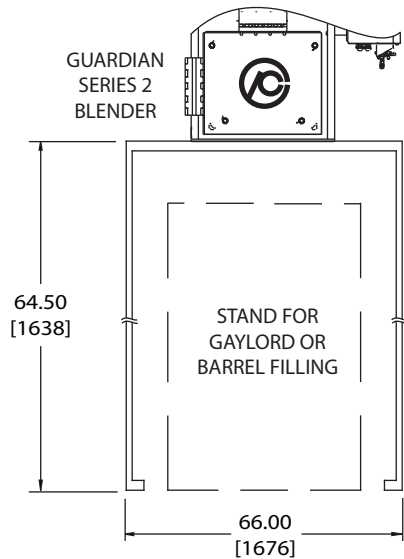
400V/3P/50Hz for mixer motor

230V/1Ph/50Hz for controls

[ ] Dimensions are in mm

Approx Shipping Weight: 700lbs

# 12kg Guardian® Series 2 Blender Optional Accessories



[ ] dimensions are in mm

## Optional Features

- Dispensing gate restrictor plate for very low rate ingredients
- Integral extruder and linespeed control modules for mono-extrusion
- Extended cables for remote mounting touch-screen operator control panel
- Low level proximity sensor for material hoppers
- Drain with butterfly valve for material hoppers
- Regrind or Powder Feeder Elements
- Special Electricals
- Special Paint
- Blend Manager software
- Self-Loading Controls
- Up to 12 elements for 12kg
- For higher throughputs, see specification sheet for 18kg and 25kg Guardian® Series 2 Gravimetric Blenders