

# RMX Series

## Refeed Machine

### Standard Specifications

**Drive System:** AC motor flanged to hollow-shaft gear box drives the rotating auger used to compact refeed scrap. The VSD speed control includes adjustable torque limit, extruder screw following and signal isolation circuits. The drive and auger speed controls are mounted and wired in a NEMA-12 enclosure with 15"x15" for remote mounting, with wiring to the RMX by others.

**Electricals:** Power requirements - 230 volt, single phase for controls. A ground scrap high level switch interfaces with scrap grinder.

**Materials of Construction:** Mild Steel

**Paint:** High-gloss enamel of PCC standard color.



Smart HMI  
Touch Screen  
Operator Panel

The RMX Series: for use with ASR® and Gravitrol® systems to recycle edge and/or bleed trims, tape, roll scrap and loose scrap, individually or simultaneously.

The RMX Series Refeed Machine is part of a complete ASR® Automatic Scrap Recycling System for recycling scrap generated on a film extrusion line. The RMX Series is specifically designed for use with Gravitrol® Gravimetric Extrusion Control Systems. The compact size also makes the RMX Series suitable for applications with headroom restrictions without sacrificing the performance that has made the ASR® Refeed Machine popular for film applications.

The unique, double-compartment RMX Series Refeed Machine operates with a variable-speed auger/bridge-breaker assembly to compact and meter ground scrap from the inner hopper to the throat of the production extruder. The outer compartment contains virgin material which is gravity-fed to the throat. The virgin material completely surrounds the ground scrap as it enters the extruder. The extruder screw receives a consistent column of compacted ground scrap surrounded by virgin material.

This method provides consistent operation without extruder surging or starvation. With the standard extruder follower circuit, the refeed machine will increase or decrease the scrap rate in proportion to the extruder speed. This holds scrap percentage constant without additional operator attention.

The touch screen operator panel with smart HMI provides full control and configuration of the drive system with minimal setup. The roll feeder and refeed status may be monitored from a single screen.

### Options

- ◆ Special controls
- ◆ Isolation transformer for use with non-230 volt, single phase systems
- ◆ Additive feeders on virgin material throat
- ◆ Trim Removal Inducers
- ◆ Film Scrap Grinders
- ◆ High Efficiency Cyclone
- ◆ Cyclone Filter Assembly

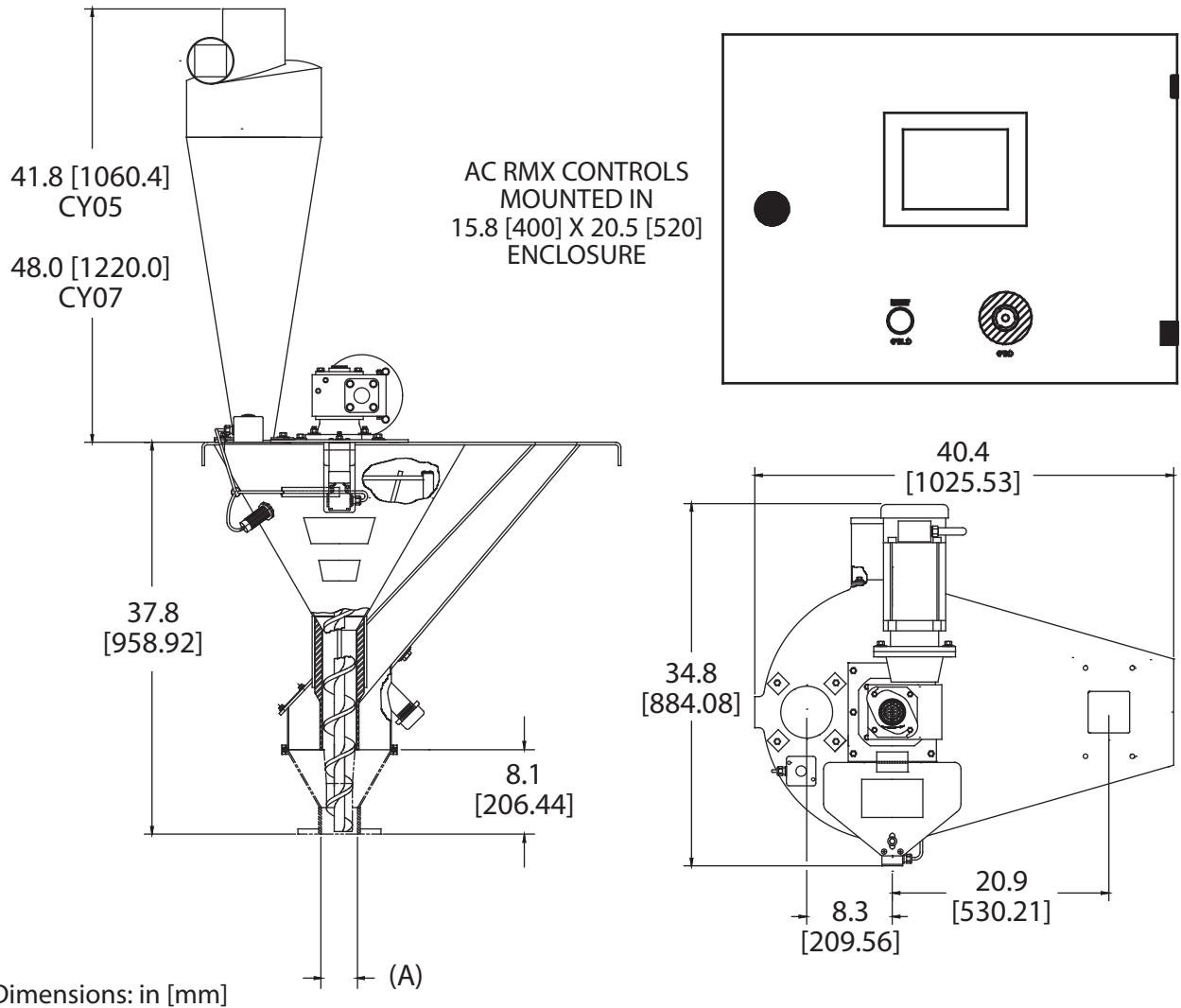


**PROCESS CONTROL CORPORATION**

World Headquarters  
6875 Mimms Drive, Atlanta, GA 30340 USA  
Ph 770.449.8810 Fax 770.449.5445

Process Control GmbH  
Birstein, Germany  
Ph +19-6051-91 29-0 Fax +19-6051-91 29-99

# RMX Series Refeed Machine



## Specifications for RMX Series Refeed Machine

Model Number	Maximum Scrap Rate ft <sup>3</sup> /hr (m <sup>3</sup> /hr)	Fits Extruder Size* Inch (mm)	Dimension A: Auger Diam. At Fluff Tube Inch (mm)	Usable Capacity ft <sup>3</sup> (m <sup>3</sup> )		HP	Shipping Weight lbs. (kg)
				Scrap	Virgin		
RMX2	20 (0.57)	2.5 - 4.5 (63.5 - 114.3)	2.3 (54.8)	1.0 (0.03)	0.5 (0.015)	1	600 (272)
RMX3	40 (1.13)	3.5 - 6.0 (88.9 - 152.4)	3.0 (76.2)				
RMX4	90 (2.55)	4.5 - 8.0 (114.3 - 203.2)	4.0 (101.6)				
RMX5	120 (3.40)	6.0 - 8.0 (152.4 - 203.2)	5.0 (127.0)				

\*Match spool piece as closely as possible to extruder throat opening; spool piece opening must not exceed throat opening.