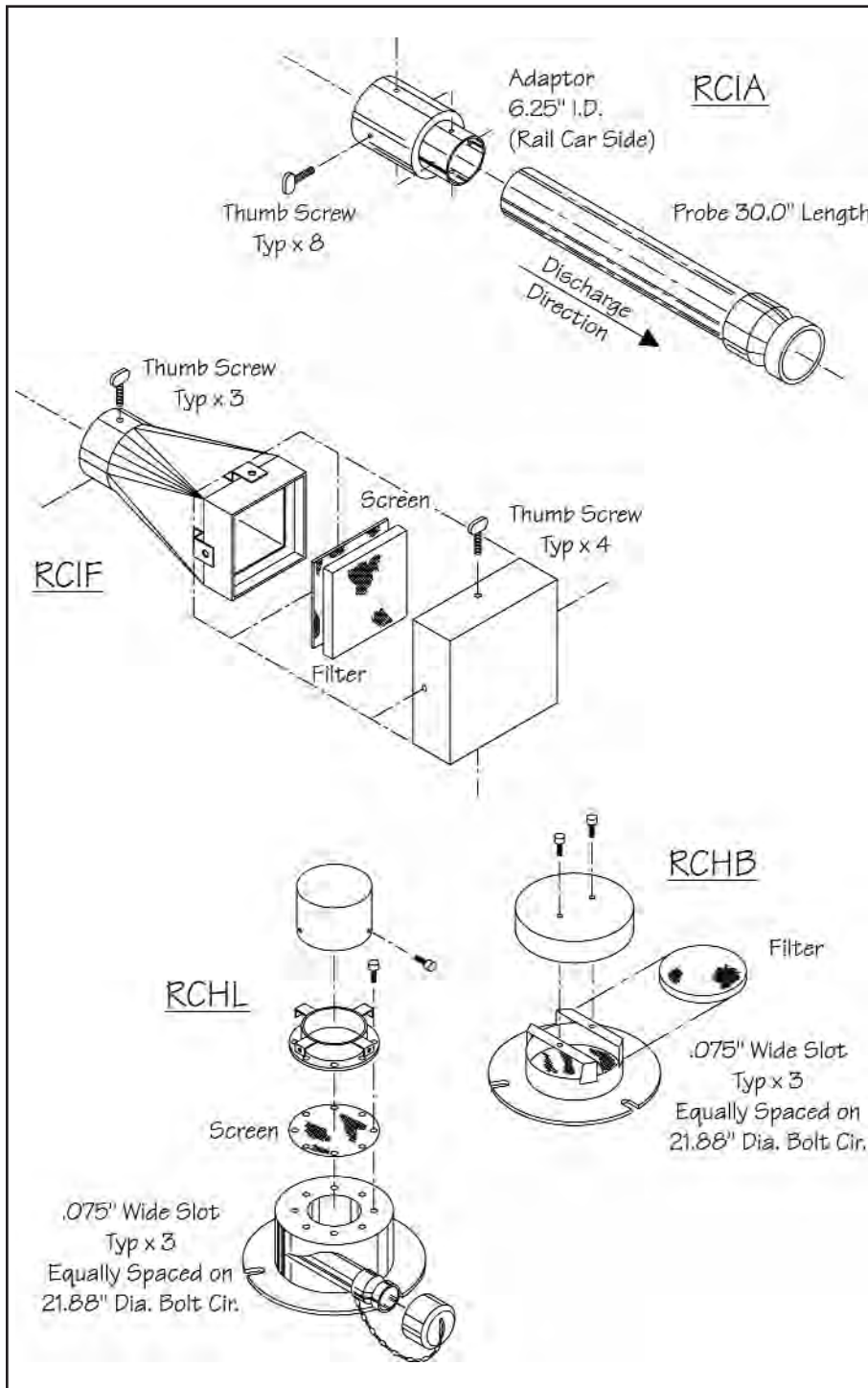


Rail Car

Hardware and Accessories



Process Control Corporation carries a complete line of rail car accessories for your pneumatic conveying system.

RCIA Series Intake Adapter

The RCIA Series allows processors to unload rail cars quickly and efficiently. The aluminum RCIA fits a variety of line sizes and is easily installed on a car's material discharge port using an integral quick-couple adapter fitting. ■

RCIF Rail Car Intake Filter

The RCIF Series prevents contamination of materials during rail car unloading by flowing filtered air into the material discharge area. The RCIF features mild steel construction, a replaceable fibrous filter and backup screen. It installs easily on the rail car discharge port opposite an RCIA. ■

RCHB Series Hatch Breather

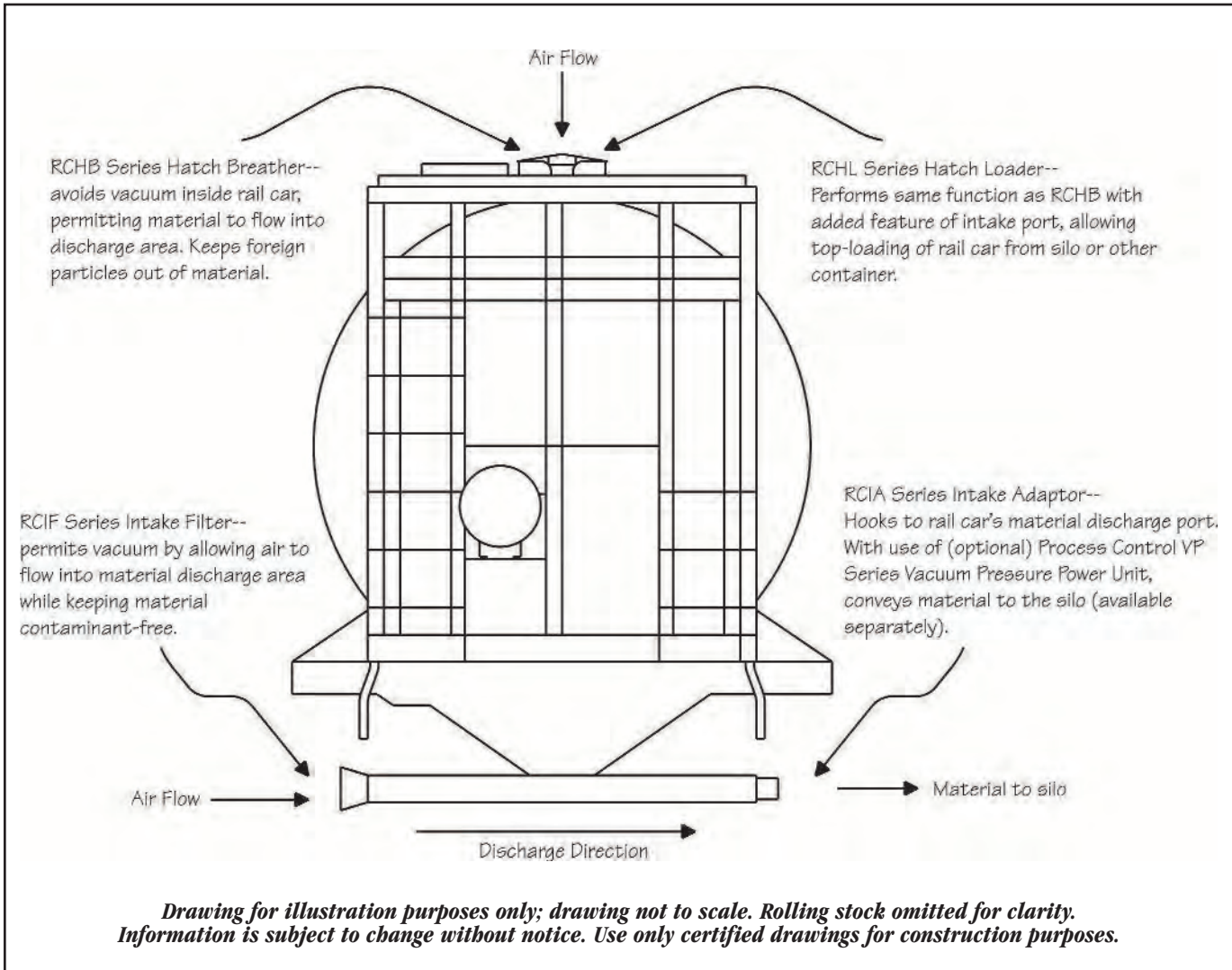
For additional contamination prevention, processors may opt for the RCHB Series Rail Car Hatch Breather. A direct replacement for the car's hatch cover, the light weight aluminum RCHB employs a removable filter element to keep material free from foreign objects. ■

RCHL Series Hatch Loader

The RCHL was designed for plastic processors who have occasion to load a railcar at their manufacturing site. The aluminum RCHL features a tangential material inlet tube for optimum material/air separation and an easy to clean stainless steel screen to prevent contamination. ■

***Rail Car Hardware from Process Control Corporation:
part of a complete pneumatic conveying system.***

Rail Car Hardware and Accessories



SPECIFICATIONS for RAILCAR HARDWARE

RCIA Series Intake Adapter		RCIF Series Intake Adapter			RHB Series Hatch Breather		RCHL Series Hatch Loader	
Model	Line Size O.D. (in.)	Length (in.)	Area (sq. in.)	Conn. I.D. to Rail Car (in.)	Flange Diameter (in.)	Assembled Height (in.)	Flange Diameter (in.)	Assembled Height (in.)
RCIA25	2.5	17.3	12.0	12.0	26.9	6.9	26.9	15.0
RCIA30	3.0							
RCIA40	4.0							
RCIA45	4.5							



PROCESS CONTROL Corporation

World Headquarters

6875 Mimms Drive, Atlanta, GA 30340 USA
Tel: (770) 449-8810 Fax: (770) 449-5445
www.process-control.com

Process Control China Limited

Guangzhou, GuangDong Province, China
TEL: +8620 28395688 FAX: +8620 28395773

Process Control GmbH

Birstein, Germany
TEL: +49-6054-91 29-0 FAX: +49-6054-91 29-99